

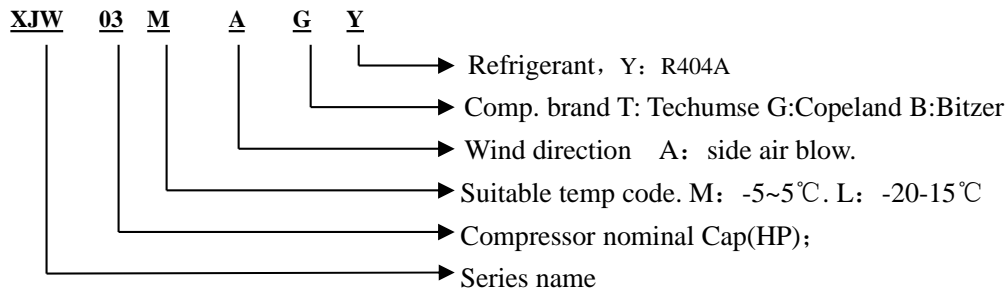
# XJW Series Box Type Condensing Units

## Part I XJW Series Box Type Condensing Units

### 1. Product description

This series products feature box type structure, that is compact and pleasant looking, applicable to cold display cases, cold storage rooms, ice producers etc. The applicable temperature ranges are:  $-5^{\circ}\text{C} \sim 5^{\circ}\text{C}$  and  $-20^{\circ}\text{C} \sim -15^{\circ}\text{C}$ . They can be used in hotels, restaurants, medicines, agricultural, chemicals industries all other place where cold storage is needed.

### 2. Model code



### 3. Main components

World famous brand refrigeration parts are employed for all products:

fans with 6 pole external rotor motors;

For the units with 2 fans, the condenser fans are automatically controlled.

Protection devices for phase sequence, over loading ,sub-heating ,lack of phase , high & low pressure etc.

### 4. Specifications

#### 4.1 Units with TECUMSEH COMPRESSOR, R404A; condensing Temperature for test: $45^{\circ}\text{C}$

Model		XJW0.6MATY	XJW01MATY	XJW1.7MATY	XJW02MATY	XJW03MATY	
Room temperature		$-5\sim 5^{\circ}\text{C}$					
Refrigerant		R404A					
Power supply		220V/50HZ			380V/50HZ		
Comp	Model	Hermetical					
	Type	CAJ9480Z	CAJ9510Z	CAJ4519Z	TFH4524Z	TFH4531Z	
	Max current (A)	6.6	8.0	15.4	6.3	8.2	
Con fan	Fan number	1	1	1	1	1	
	Air flow ( $\text{m}^3/\text{h}$ )	1700	1700	1700	3200	3200	
	Fan power (W)	80	80	80	100	100	
	Fan voltage	220V/50HZ					
Cap & Input	$T_e$ $-5^{\circ}\text{C}$	Cap(W)	1874	2310	4070	4830	6143
		Input (W)	820	980	1850	2090	2610
	$T_e$ $-7^{\circ}\text{C}$	Cap(W)	1553	1924	3340	3890	4990
		Input (W)	760	910	1720	1920	2385
	$T_e$ $-10^{\circ}\text{C}$	Cap(W)	1266	1572	2700	3050	3970
		Input (W)	700	840	1590	1740	2150
Pipe	Gas (inch)	1/2SAE	5/8SAE	5/8SAE	5/8SAE	7/8SAE	
	Liquid (inch)	3/8SAE	3/8SAE	3/8SAE	3/8SAE	3/8SAE	
Size Drawing		NO.1	NO.1	NO.1	NO.2	NO.2	

Model		XJW01LATY	XJW1.5LATY	XJW02LATY	XJW03LATY	
Room temperature		-15℃ ~-20℃				
Refrigerant		R404A				
Power supply		220V/50HZ		380/50HZ		
Comp	Model	Hermetical reciprocating				
	Type	CAJ2446Z	CAJ2464Z	TFH2480Z	TFH2511Z	
	Max current (A)	7.9	10.0	4.8	5.0	
Con fan	Fan number	1	1	1	1	
	Air flow (m³/h)	1700	1700	3200	4600	
	Fan power (W)	80	80	100	160	
	Fan voltage	220V/50HZ				
Cap & Input	Te -20℃	Cap(W)	1296	1673	2416	3348
		Input (W)	950	1250	1837	2312
	Te -25℃	Cap(W)	1005	1300	1865	2518
		Input (W)	837	1100	1585	1960
	Te -30℃	Cap(W)	755	990	1347	1817
		Input (W)	723	955	1326	1635
Pipe	Gas (inch)	1/2SAE	5/8SAE	5/8SAE	5/8SAE	
	Liquid (inch)	3/8SAE	3/8SAE	3/8SAE	3/8SAE	
Size Drawing		NO.1	NO.1	NO.2	NO.2	

#### 4.2 Units with Copeland ZB COMPRESSOR, R404A; condensing Temperature for test: 45℃

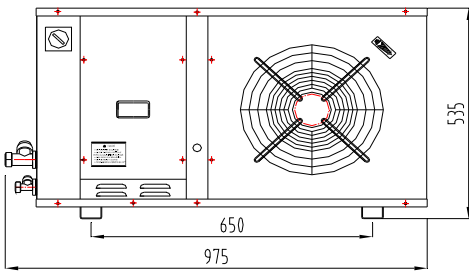
Model		XJW02MAGY	XJW03MAGY	XJW04MAGY	XJW05MAGY	XJW06MAGY	XJW07MAGY	XJW08MAGY	
Room temperature		5℃ ~-15℃							
Refrigerant		R404A							
Power supply		380V/50 HZ							
Comp	Model	Scroll							
	Type	ZB15KQE	ZB21KQE	ZB29KQE	ZB38KQE	ZB45KQE	ZB48KQE	ZB58KQE	
	Max current (A)	6.0	8.0	11.0	12.5	16.1	17.0	23.0	
Con fan	Fan number	1	1	2	2	2	2	2	
	Air flow (m³/h)	3200	4600	6400	9200	9200	10580	10580	
	Fan power (W)	100	160	100×2	160×2	160×2	230×2	230×2	
	Fan voltage	220V/50HZ							
压缩机 Cap & Input 及功率	Te 0℃	Cap(W)	4760	7000	9480	11950	14000	15300	18600
		Input (W)	1720	2480	3300	4150	4700	5170	6400
	Te -5℃	Cap(W)	3820	5740	7800	9830	11500	12550	15300
		Input (W)	1760	2500	3300	4200	4730	5210	6360
	Te -10℃	Cap(W)	3080	4680	6360	8000	9380	10200	12400
		Input (W)	1820	2510	3330	4200	4750	5230	6320
	Te -15℃	Cap(W)	2430	3780	5130	6480	7580	8180	9840
		Input (W)	1880	2510	3330	4210	4760	5240	6320
Te -20℃	Cap(W)	1870	3020	4100	5170	6050	6500	7520	
	Input (W)	1930	2520	3340	4210	4770	5240	6360	
Pipe	Gas (inch)	3/4SAE	3/4SAE	7/8SAE	7/8SAE	7/8SAE	7/8ODF	1-1/8ODF	
	Liquid (inch)	3/8SAE	3/8SAE	1/2SAE	1/2SAE	1/2SAE	5/8ODF	5/8ODF	
Size Drawing		NO.2	NO.2	NO.3	NO.3	NO.3	NO.4	NO.4	

### 4.3 Units with Bitzer Semi hermetical COMPRESSOR, R404A; condensing Temperature for test: 50°C

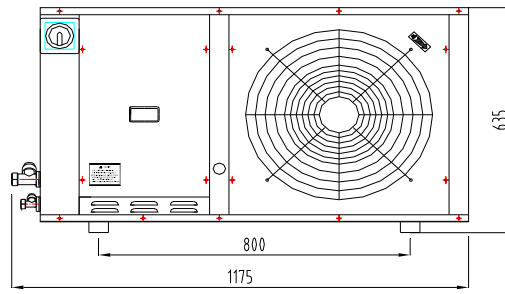
Model		XJW02MABY	XJW03MABY	XJW04MABY	XJW05MABY	XJW06MABY	XJW07MABY	
Room temperature		5°C ~-5 °C						
Refrigerant		R404A						
Power supply		380V/50 HZ						
Comp	Model	Hermetical reciprocating						
	Type	2GC2.2Y	2DC3.2Y	2CC4.2Y	4FC5.2Y	4EC6.2Y	4DC7.2Y	
	Max current (A)	4.7	7.8	9.4	10.8	13.2	15.9	
Con fan	Fan number	1	2	2	2	2	2	
	Air flow (m³/h)	3200	6400	9200	9200	10580	10580	
	Fan power (W)	100	100×2	160×2	160×2	230×2	230×2	
	Fan voltage	220V/50HZ						
Cap & Input	Te 0°C	Cap(W)	4710	8250	10130	11730	14390	17550
		Input (W)	2200	3230	3990	4450	5560	6570
	Te -5°C	Cap(W)	3890	6610	8140	9400	11550	14110
		Input (W)	2060	2980	3670	4120	5120	6140
	Te -10°C	Cap(W)	3180	5200	6430	7390	9110	11150
		Input (W)	1900	32720	3330	3760	4650	5650
Pipe	Gas (inch)	5/8ODF	7/8ODF	7/8ODF	7/8ODF	1-1/8ODF	1-1/8ODF	
	Liquid (inch)	3/8ODF	1/2ODF	1/2ODF	1/2ODF	1/2ODF	1/2ODF	
Size Drawing		NO.2	NO.3	NO.3	NO.3	NO.4	NO.4	

Model		XJW								
		02LABY	03LABY	04LABY	05LABY	06LABY	08LABY	10LABY	12LABY	
Room temperature		-15°C~-20°C								
Refrigerant		R404A								
Power supply		380V/50HZ								
Comp	Model	Scroll								
	Type	2DC2.2Y	4FC3.2Y	4EC4.2Y	4DC5.2Y	4CC6.2Y	4TCS8.2Y	4PCS10.2Y	4NCS12.2Y	
	Max current (A)	6.9	9.2	10.7	13.5	15.9	17.0	21.0	24.0	
Con fan	Fan number	1	1	1	2	2	2	2	2	
	Air flow (m³/h)	3200	4600	4600	6400	9200	9200	10580	10580	
	Fan power (W)	100	160	160	100×2	160×2	160×2	230×2	230×2	
	Fan voltage	220V/50HZ								
Cap & Input	Te -20°C	Cap(W)	3600	4970	5860	6930	7940	11330	13140	15500
		Input (W)	2590	3590	4010	4670	5670	6870	7880	9200
	Te -25°C	Cap(W)	2780	3860	4430	5260	5780	8550	9930	11600
		Input (W)	2250	3130	3570	4230	5000	6090	6910	8090
	Te -30°C	Cap(W)	2080	2910	3250	3880	--	6260	7250	8460
		Input (W)	1900	2670	3040	3820	--	5250	5890	6940
Pipe	Gas (inch)	7/8ODF	7/8ODF	1-1/8ODF	1-1/8ODF	1-1/8ODF	1-3/8ODF	1-3/8ODF	1-3/8ODF	
	Liquid (inch)	3/8ODF	3/8ODF	1/2ODF	1/2ODF	1/2ODF	5/8ODF	5/8ODF	5/8ODF	
Size Drawing		NO.2	NO.2	NO.2	NO.3	NO.3	NO.4	NO.4	NO.4	

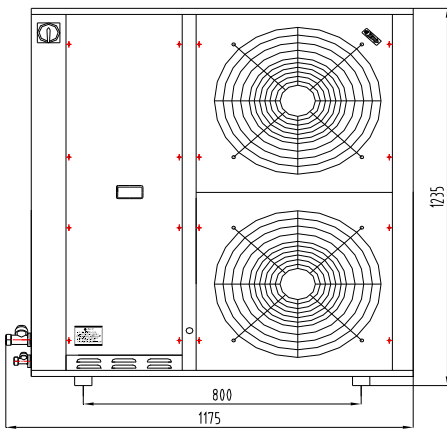
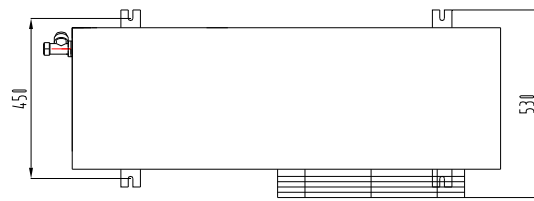
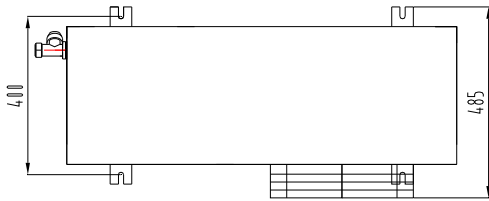
## 5. Diagrams for Overall sizes



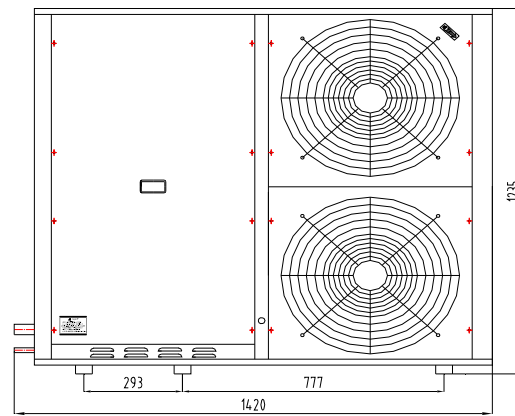
NO. 1



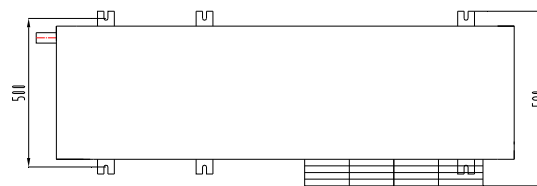
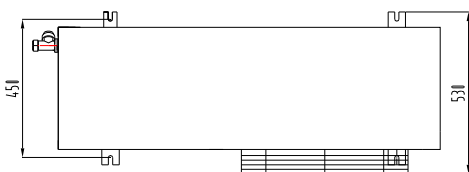
NO. 2



NO. 3



NO. 4

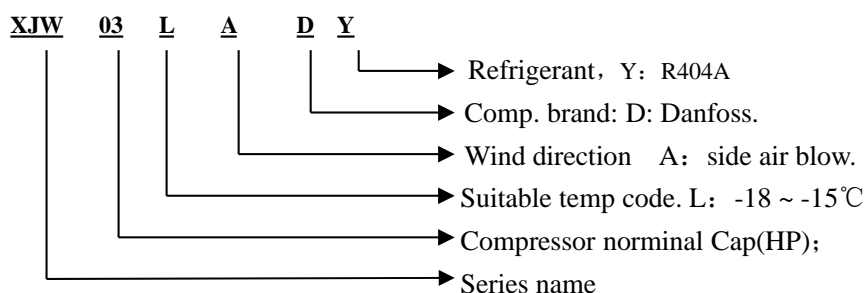


# Part II XJW-D Series Box Type Condensing Units

## 1. Product description

This series products feature air cooled box type structure with Maneurop hermetic Danfoss NTZ compressors, copper and fin condensers, and external fans, make high efficiency, low level noise and pleasant looking, and long use terms. All products have fan speed regulator that can regulate the air flow based the pressure inside automatically.

## 2. Model code



## 3. Main components

World famous brand refrigeration parts are employed for all products:

Fans with 6 pole external rotor motors; Fan speed regulators.

Protection devices for phase sequence, over loading ,sub-heating ,lack of phase , high & low pressure etc.

## 4. Specifications

### R404A Units, condensing temperature for test: 45°C

Model		XJW02LADY	XJW03LADY	XJW04LADY	XJW05LADY	XJW06LADY	XJW09LADY	XJW12LADY	
Room temperature		-18°C ~ -25 °C							
Refrigerant		R404A							
Power supply		380V/3P/50 HZ							
Comp	Model	Hermetical reciprocating							
	Type	NTZ048	NTZ068	NTZ096	NTZ108	NTZ136	NTZ215	NTZ271	
	Max current (A)	4.8	8.4	10.1	12.1	14.3	22.3	27.0	
Con fan	Fan number	1	1	1	1	1	2	2	
	Air flow (m³/h)	2460	2460	4800	4800	4800	9600	9600	
	Fan power (W)	108	108	230	230	230	230×2	230×2	
	Fan voltage	220V/50HZ							
Cap & Input	Te -20°C	Cap(W)	2000	3050	4040	4820	6050	9330	12700
		Input (W)	1565	2365	2975	3550	4680	6810	8875
	Te -25°C	Cap(W)	1490	2250	2950	3580	4566	7030	9690
		Input (W)	1330	2000	2520	3050	4075	5900	7790
	Te -30°C	Cap(W)	1060	1600	2090	2556	3350	5114	7190
		Input (W)	1080	1650	2075	2560	3470	4970	6700
Te -35°C	Cap(W)	710	1080	1420	1718	2365	3530	5138	
	Input (W)	830	1300	1660	2110	2865	4040	5640	
Pipe	Gas (inch)	5/8ODF	5/8ODF	7/8ODF	7/8ODF	1-1/8ODF	1-1/8ODF	1-1/8ODF	
	Liquid (inch)	3/8ODF	3/8ODF	1/2ODF	1/2ODF	1/2ODF	5/8ODF	5/8ODF	
Size Drawing		NO.1	NO.1	NO.2	NO.2	NO.2	NO.3	NO.3	

## 5. Diagrams for Overall sizes

